

New Remote Keypod for the SFE3 range of Optimising Soft Starters

**COST
EFFECTIVE**

**Innovation
In Soft
Starter
Technology**



For Panel mounting
Easy Installation - Easy Set Up - Reliability
makes the Keypod
Invaluable for multiple installations and can
eliminate many control items.

Remote Keypod For the SFE3 range of Soft Starters

Can be used on a one to one basis, or one Keypod can control several Soft Starters

Seven buttons with individual Start and Stop

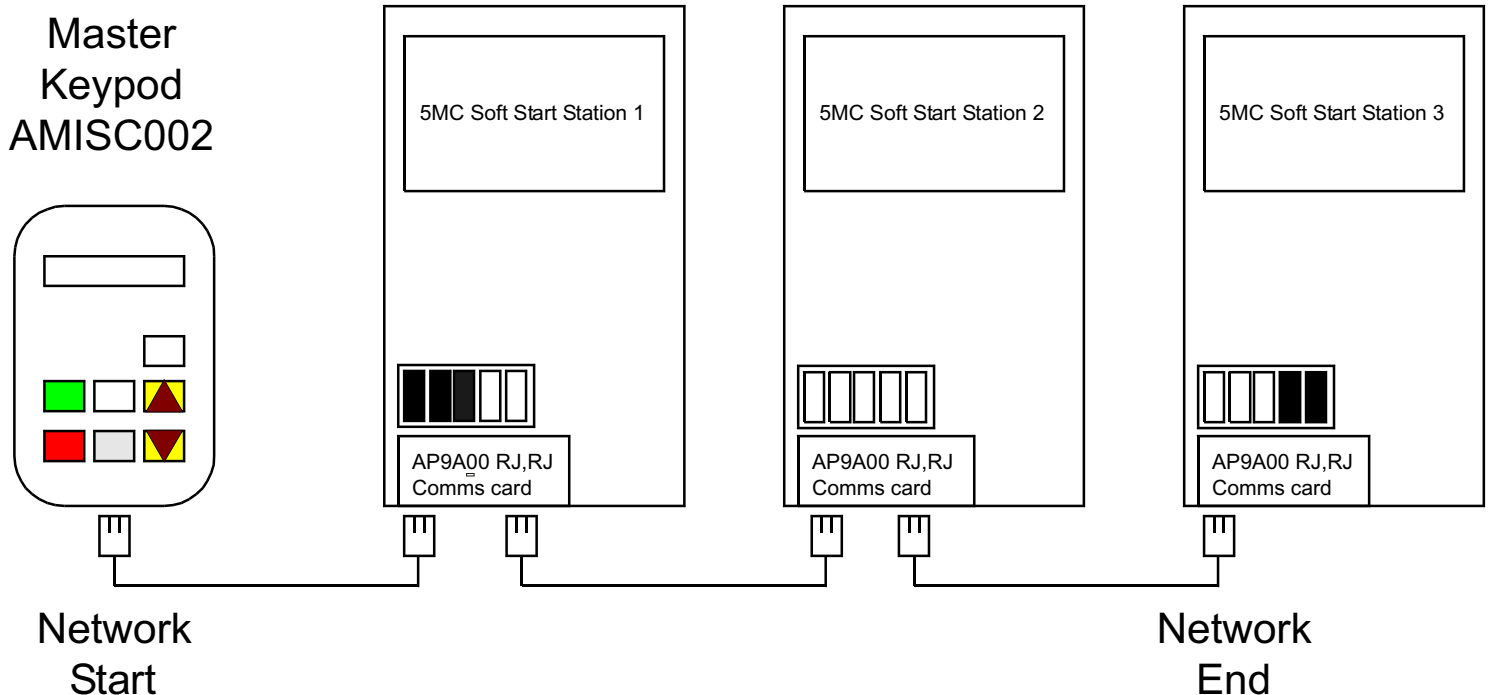
Display via a 2 line 32 character LCD

Eliminates panel mounted Start and Stop push buttons,
Ammeters, Run, Top of Ramp and Alarm Lamps

The Keypod gives continuous display of motor phase current and control status
Starting, Stopping, Full Volts, Optimising, Current Limitation,
Overload and Fault Indication

KEYPOD CONCEPT

SFE3 Soft Starters



An upgrade Kit is also available for existing SFE3 installations